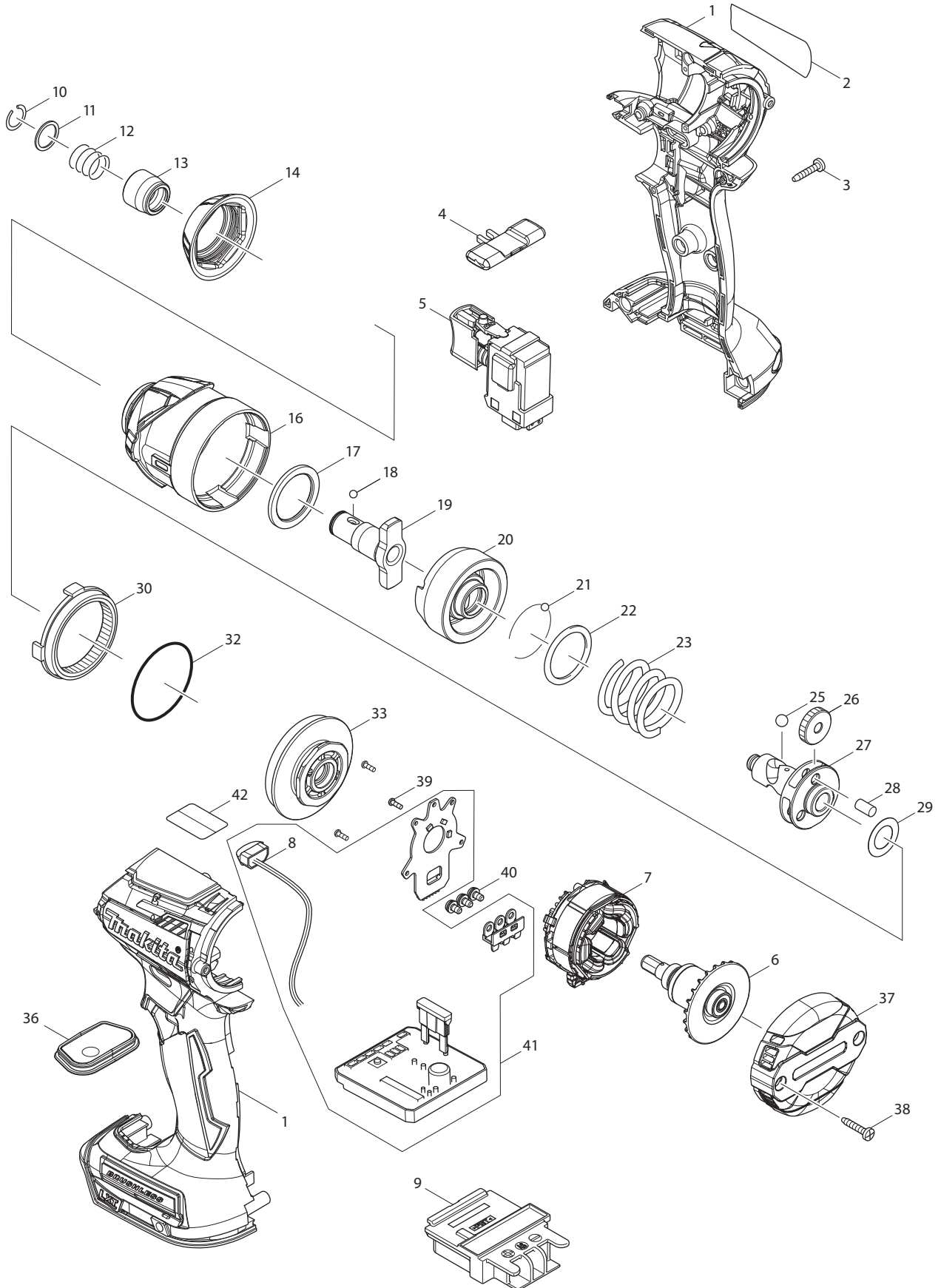




06 - 2016
DTD154RTE / DTD154RME / DTD154Z
18V LXT Brushless 1/4" Impact Driver



Item No.	Type	Sub	Part No.	Description	Qty	Unit
001			183E36-5	HOUSING SET	1	SET
		INC.	263005-3	RUBBER PIN 6	2	PC.
		INC.	252126-6	HEX. LOCKING NUT M4-7	2	PC.
001A			183F58-1	HOUSING SET BLACK	1	SET
		INC.	263005-3	RUBBER PIN 6	2	PC.
		INC.	252126-6	HEX. LOCKING NUT M4-7	2	PC.
002	2		857J30-0	NAME PLATE F/DTD154	1	PC.
003			266429-2	TAPPING SCREW 3X16	8	PC.
004			455053-8	F/R CHANGE LEVER	1	PC.
005			143975-1	SWITCH COMPLETE	1	PC.
006			619408-3	ROTOR	1	PC.
007			629217-2	STATOR	1	PC.
008			620557-1	LED CIRCUIT	1	PC.
009			643860-3	TERMINAL	1	PC.
010			231951-8	RING SPRING 11	1	PC.
011			267085-1	FLAT WASHER 12	1	PC.
012			233005-7	COMPRESSION SPRING 13	1	PC.
013			326068-1	BIT SLEEVE	1	PC.
014			424873-1	BUMPER	1	PC.
016			143951-5	HAMMER CASE COMPLETE	1	PC.
017			261155-8	NYLON WASHER 24	1	PC.
018	2		216040-0	STEEL BALL 3.5	2	PC.
019			326506-3	ANVIL M	1	PC.
020	1		326711-2	HAMMER	1	PC.
	2		327155-9	HAMMER	1	PC.
021	2		216040-0	STEEL BALL 3.5	24	PC.
022			267175-0	FLAT WASHER 24	1	PC.
023			234331-7	COMPRESSION SPRING 24	1	PC.
025			216041-8	STEEL BALL 5.6	2	PC.
026			227338-0	SPUR GEAR 22	3	PC.
027			326783-7	SPINDLE	1	PC.
028			268311-1	PIN 5	3	PC.
029			253314-8	THIN WASHER 15	1	PC.
030			221457-4	INTERNAL GEAR 51	1	PC.
032			213507-9	O RING 40	1	PC.
033			143976-9	BEARING BOX COMPLETE	1	PC.
036			143954-9	SWITCH PLATE COMPLETE	1	PC.
037			456921-8	REAR COVER	1	PC.
037A			457494-4	REAR COVER BLACK	1	PC.
038			266429-2	TAPPING SCREW 3X16	2	PC.
039			266490-9	TAPPING SCREW PT 2X6	3	PC.
040			652069-6	FLAT HEAD SCREW M3X6	3	PC.
041			620564-4	CONTROLLER	1	PC.
		INC.		Item No. 8		
042			809R93-0	CAUTION LABEL	1	PC.
043			857J31-8	DTD154 SERIAL NO. LABEL (added)	1	PC.
100			266622-8	+ TRUSS HEAD SCREW M4X12 F/HOOK (Item No. A2)	1	PC.

ACCESSORIES

- Visit www.makita.ca for more accessories information -

A02			346449-3	HOOK	1	PC.
A03			450128-8	BATTERY COVER	1	PC.
A04			----	BATTERY CHARGER	1	PC.
A05			-----	18V LI-ION BATTERY		

Item No.	Type	Sub	Part No.	Description	Qty	Unit
A06	2		821532-2	PLASTIC CARRYING CASE	1	PC.
		INC.	163455-1	LATCH	2	PC.
A07			-----	LI-ION BATTERY ACCESSORIES		
A08			-----	IMPACT DRIVERS ACCESSORIES		
A09			122758-2	STOPPER ASS'Y	1	PC.
A10			197043-2	TOOL CATCHER SET	1	PC.
A11			763418-3	CHUCK KEY S10	1	PC.
A12			784643-3	CONNECT BIT 6.35-44	1	PC.
A13			191881-4	3/8"DRILL CHUCK ATTACHMENT SET	1	PC.
		INC.		Item No. A11-12		
A14			194250-8	3/8" KEYLESS CHUCK ATTACHMENT -PKG	1	PC.
		INC.		Item No. A12		
A15			763198-1	3/8" KEYLESS CHUCK ATTACHMENT -BULK	1	PC.
		INC.		Item No. A12		
A16			192077-0	3/8" KEYLESS CHUCK ATTACHMENT -PKG	1	PC.